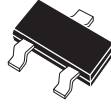


**CMPZ4678
 THRU
 CMPZ4717
 SURFACE MOUNT
 350mW LOW LEVEL
 SILICON ZENER DIODE
 5% TOLERANCE**



SOT-23 CASE

CentralTM

Semiconductor Corp.

DESCRIPTION:

The CENTRAL SEMICONDUCTOR CMPZ4678 Series silicon zener diode is a high quality voltage regulator designed for applications requiring an extremely low operating current and low leakage.

MARKING CODE: CONSULT FACTORY

- *Pb-free plating available upon request.*

MAXIMUM RATINGS: ($T_A=25^\circ\text{C}$ unless otherwise noted)	SYMBOL		UNITS
Power Dissipation	P_D	350	mW
Operating and Storage Temperature	T_J, T_{stg}	-65 to +150	$^\circ\text{C}$

ELECTRICAL CHARACTERISTICS: ($T_A=25^\circ\text{C}$) $V_F=1.5\text{V MAX @ } I_F=100\text{mA}$ (for all types)

TYPE NO.	NOMINAL ZENER VOLTAGE $V_Z @ I_{ZT}$	TEST CURRENT I_{ZT}	MAXIMUM REVERSE LEAKAGE CURRENT		MAXIMUM VOLTAGE CHANGE** ΔV_Z	MAXIMUM ZENER CURRENT I_{ZM}
	(V)	(μA)	I_R (μA)	@ V_R (V)	(V)	(mA)
CMPZ4678	1.8	50	7.5	1.0	0.70	120.0
CMPZ4679*	2.0	50	5.0	1.0	0.70	110.0
CMPZ4680*	2.2	50	4.0	1.0	0.75	100.0
CMPZ4681*	2.4	50	2.0	1.0	0.80	95.0
CMPZ4682	2.7	50	1.0	1.0	0.85	90.0
CMPZ4683	3.0	50	0.8	1.0	0.90	85.0
CMPZ4684	3.3	50	7.5	1.5	0.95	80.0
CMPZ4685	3.6	50	7.5	2.0	0.95	75.0
CMPZ4686	3.9	50	5.0	2.0	0.97	70.0
CMPZ4687	4.3	50	4.0	2.0	0.99	65.0
CMPZ4688	4.7	50	10	3.0	0.99	60.0
CMPZ4689	5.1	50	10	3.0	0.97	55.0
CMPZ4690	5.6	50	10	4.0	0.96	50.0
CMPZ4691	6.2	50	10	5.0	0.95	45.0
CMPZ4692	6.8	50	10	5.1	0.90	35.0
CMPZ4693	7.5	50	10	5.7	0.75	31.8
CMPZ4694	8.2	50	1.0	6.2	0.50	29.0
CMPZ4695	8.7	50	1.0	6.6	0.10	27.4
CMPZ4696	9.1	50	1.0	6.9	0.08	26.2
CMPZ4697	10	50	1.0	7.6	0.10	24.8
CMPZ4698	11	50	0.05	8.4	0.11	21.6

* Available on special order only, please consult factory. ** $\Delta V_Z = V_Z @ 100\mu\text{A}$ MINUS $V_Z @ 10\mu\text{A}$.

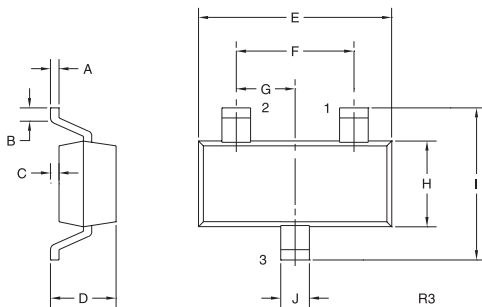
ELECTRICAL CHARACTERISTICS - Continued: ($T_A=25^\circ\text{C}$) $V_F=1.5\text{V MAX @ } I_F=100\text{mA}$ (for all types)

TYPE NO.	NOMINAL ZENER VOLTAGE $V_Z @ I_{ZT}$	TEST CURRENT I_{ZT}	MAXIMUM REVERSE LEAKAGE CURRENT		MAXIMUM VOLTAGE CHANGE** ΔV_Z	MAXIMUM ZENER CURRENT I_{ZM}
	(V)	(μA)	I_R (μA)	@ V_R (V)	(V)	(mA)
CMPZ4699	12	50	0.05	9.1	0.12	20.4
CMPZ4700	13	50	0.05	9.8	0.13	19.0
CMPZ4701	14	50	0.05	10.6	0.14	17.5
CMPZ4702	15	50	0.05	11.4	0.15	16.3
CMPZ4703	16	50	0.05	12.1	0.16	15.4
CMPZ4704	17	50	0.05	12.9	0.17	14.5
CMPZ4705	18	50	0.05	13.6	0.18	13.2
CMPZ4706	19	50	0.05	14.4	0.19	12.5
CMPZ4707	20	50	0.01	15.2	0.20	11.9
CMPZ4708	22	50	0.01	16.7	0.22	10.8
CMPZ4709	24	50	0.01	18.2	0.24	9.9
CMPZ4710	25	50	0.01	19.0	0.25	9.5
CMPZ4711	27	50	0.01	20.4	0.27	8.8
CMPZ4712	28	50	0.01	21.2	0.28	8.5
CMPZ4713	30	50	0.01	22.8	0.30	7.9
CMPZ4714	33	50	0.01	25.0	0.33	7.2
CMPZ4715	36	50	0.01	27.3	0.36	6.6
CMPZ4716*	39	50	0.01	29.6	0.39	6.1
CMPZ4717*	43	50	0.01	32.6	0.43	5.5

* Available on special order only, please consult factory.

** $\Delta V_Z = V_Z @ 100\mu\text{A}$ MINUS $V_Z @ 10\mu\text{A}$.

SOT-23 CASE - MECHANICAL OUTLINE

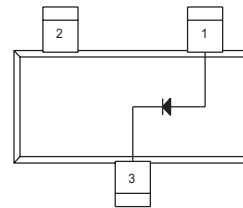


**MARKING CODE:
CONSULT FACTORY**

SYMBOL	DIMENSIONS			
	INCHES		MILLIMETERS	
	MIN	MAX	MIN	MAX
A	0.003	0.007	0.08	0.18
B	0.006	-	0.15	-
C	-	0.005	-	0.13
D	0.035	0.043	0.89	1.09
E	0.110	0.120	2.80	3.05
F	0.075		1.90	
G	0.037		0.95	
H	0.047	0.055	1.19	1.40
I	0.083	0.098	2.10	2.49
J	0.014	0.020	0.35	0.50

SOT-23 (REV: R3)

PIN CONFIGURATION



LEAD CODE:

- 1) ANODE
- 2) NO CONNECTION
- 3) CATHODE

R7 (17-APRIL 2008)